

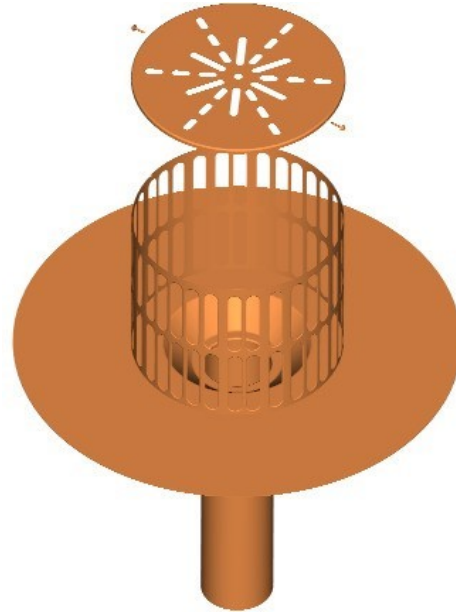
## ULTRA SELECT PLUS COPPER ROOF DRAIN

### DESCRIPTION

The *Ultra Select Plus* copper roof drain assembly is made of a *Murphco Ultra\** drain as basic element, equipped with an integrated contoured funnel shaped sump, capped with a copper dome strainer fixed permanently to the flange with bronze solder points (*MIG* process).

The first dome strainer is equipped with a cap that protects the drainage system against vandalism and enables the necessary access for maintenance.

Option: On request, this type of drain is designed to receive an extra cylinder for the control of the water flow. This control flow cylinder fits firmly in the dome strainer. A notch is simply cut in place, to control the flow as specified. (see appropriate dimension on table 1, page 6)



The *Ultra Select Plus* copper roof drain is distinctive by its unique and complete anti-vandalism design, the whole exclusively made of copper.

Use: recommended for all types of flat roofs: industrial, commercial and institutional.

### MATERIALS

- Drain : see technical data sheets of *Murphco Ultra\** copper roof drain with diameter of 16" (400 mm), sleeve diameter 4" (100mm) maximum;
- Contoured sump: 1" deep (25 mm) and 6" wide (152mm);
- Dome strainer : vertical wall: 32 oz copper (1.066 mm, 0.042"), with 2 rows of 27 standard orifice.  
Dome strainer: 32 oz copper (1.066 mm, 0.042"), with 24 orifices
- Cylinder : (control-flow): 20 oz copper (0.686 mm, 0.027")
- Solder : *MIG* solder
- Screws : stainless steel

### DIMENSIONS

#### Dome strainer

Height : 6 1/2" (165 mm)

Diameter : 8" (205 mm)

Standard orifice: 1.48 in<sup>2</sup> (956 mm<sup>2</sup>)

#### Cylinder (control-flow)

Height : 6 1/2" (165 mm)

Diameter : 7" (178 mm)

Notch : variable as per requirements

## ULTRA SELECT PLUS COPPER ROOF DRAIN

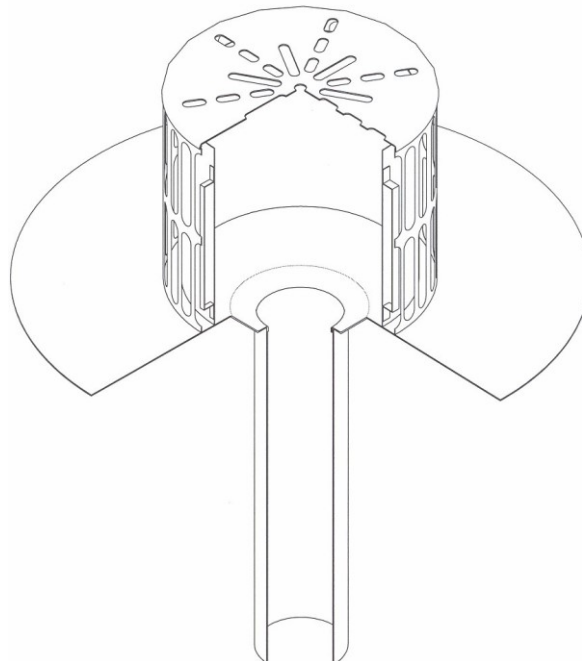
### CHARACTERISTICS

- Unique and complete anti-vandalism design;
- Copper dome strainer fixed permanently to the flange of the drain;
- Permanent dome strainer with removable cap;
- Control-flow cylinder available as an option;
- No mechanical anchor that could perforate the membrane and the flange;
- All the materials are made of copper and stainless steel insuring a remarkable life expectancy.

### INSTALLATION

This roof drain assembly can be used with all types of membranes, on flat roofs.

For the membrane installation method and also for the connection into the interior rainwater leader, please refer to the technical data sheets of *Murphco Ultra\** copper roof drain.

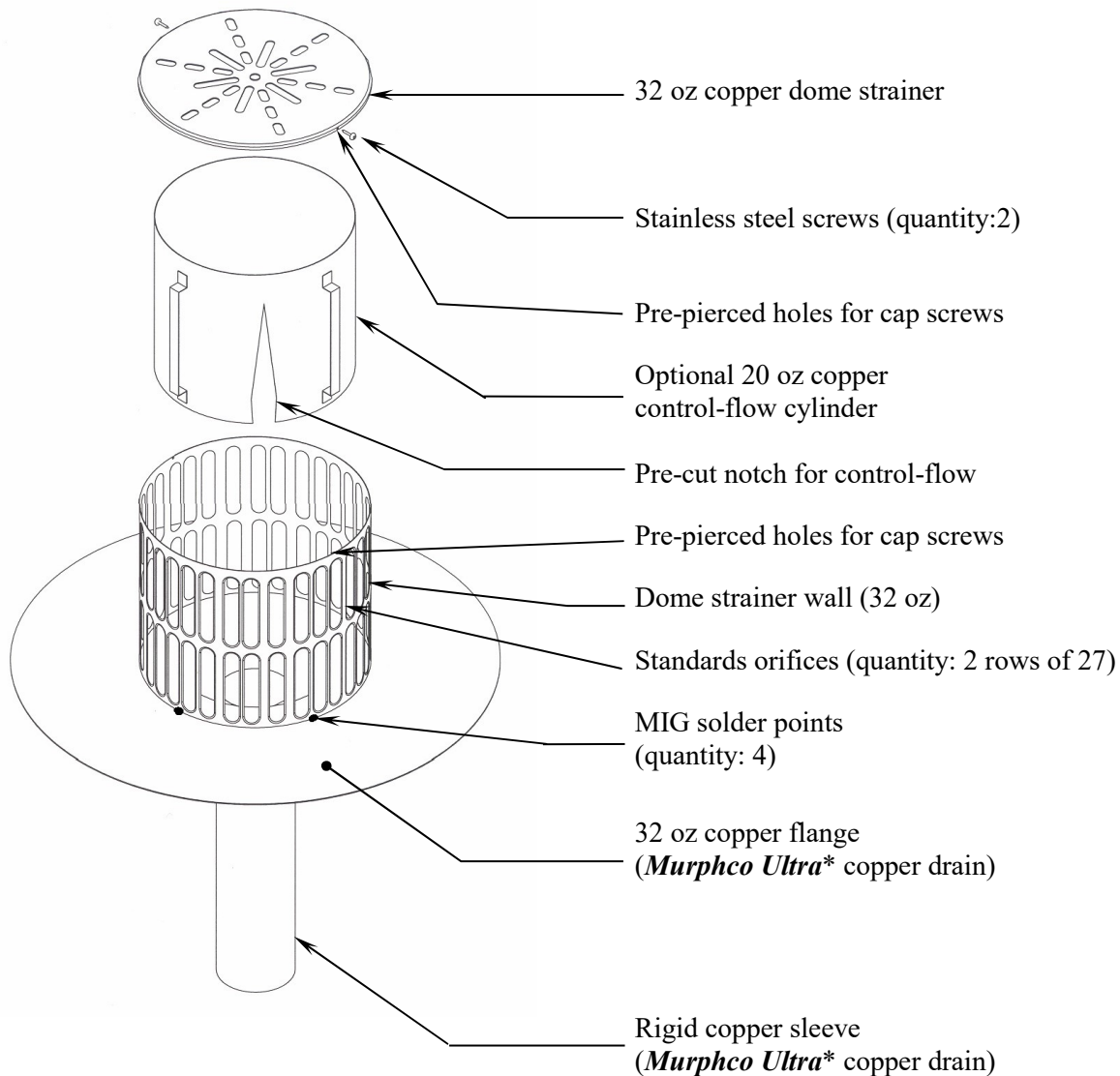


### FEATURES & WARRANTY

- Complete anti-vandalism system;
- Permanent dome strainer with removable cap;
- Control-flow (optional);
- Rigid copper drain sleeve, without joint, clip and vertical solder;
- 32 oz copper flange folded down in the sleeve with the patented *Murphco* punch;
- MIG solder process;
- Compatible with U-Flow™ seal, clamp collar or flexible coupling sleeve for a maximum flow;
- Durability, quality and industrial grade;
- Life time warranty against corrosion;
- Guaranteed against fabrication defects.

## ULTRA SELECT PLUS COPPER ROOF DRAIN

### ASSEMBLY



**Anti-vandalism system**

### USUALLY SUPPLIED

When you buy *Ultra Select Plus* copper drain, you get:

- 1 copper drain with contoured sump, the dome strainer is already fastened to the flange;
- 1 copper dome strainer cap;
- 2 stainless steel screws;
- Control-flow cylinder (optional).

## ULTRA SELECT PLUS COPPER ROOF DRAIN

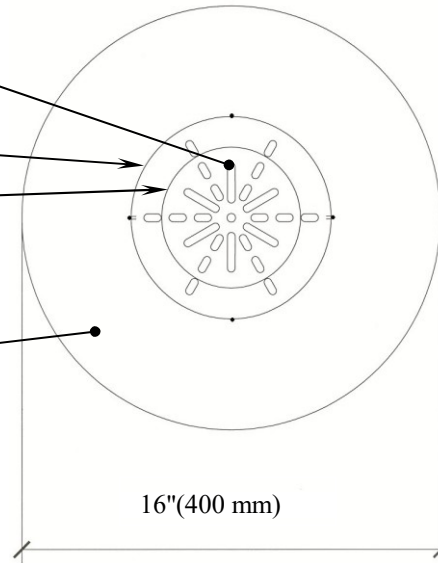
### DRAIN SECTION

Dome strainer cap 8"ø.

Dome strainer (vertical wall)

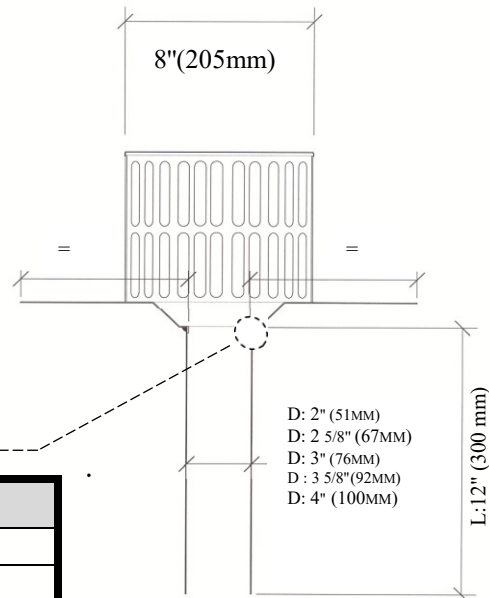
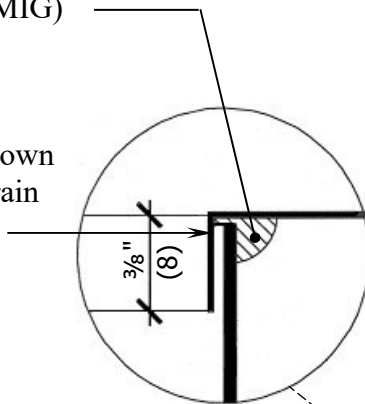
Optional control-flow cylinder, 7"ø.

32 oz copper flange  
(Murphco Ultra\* copper drain)



Continuous solder (MIG)

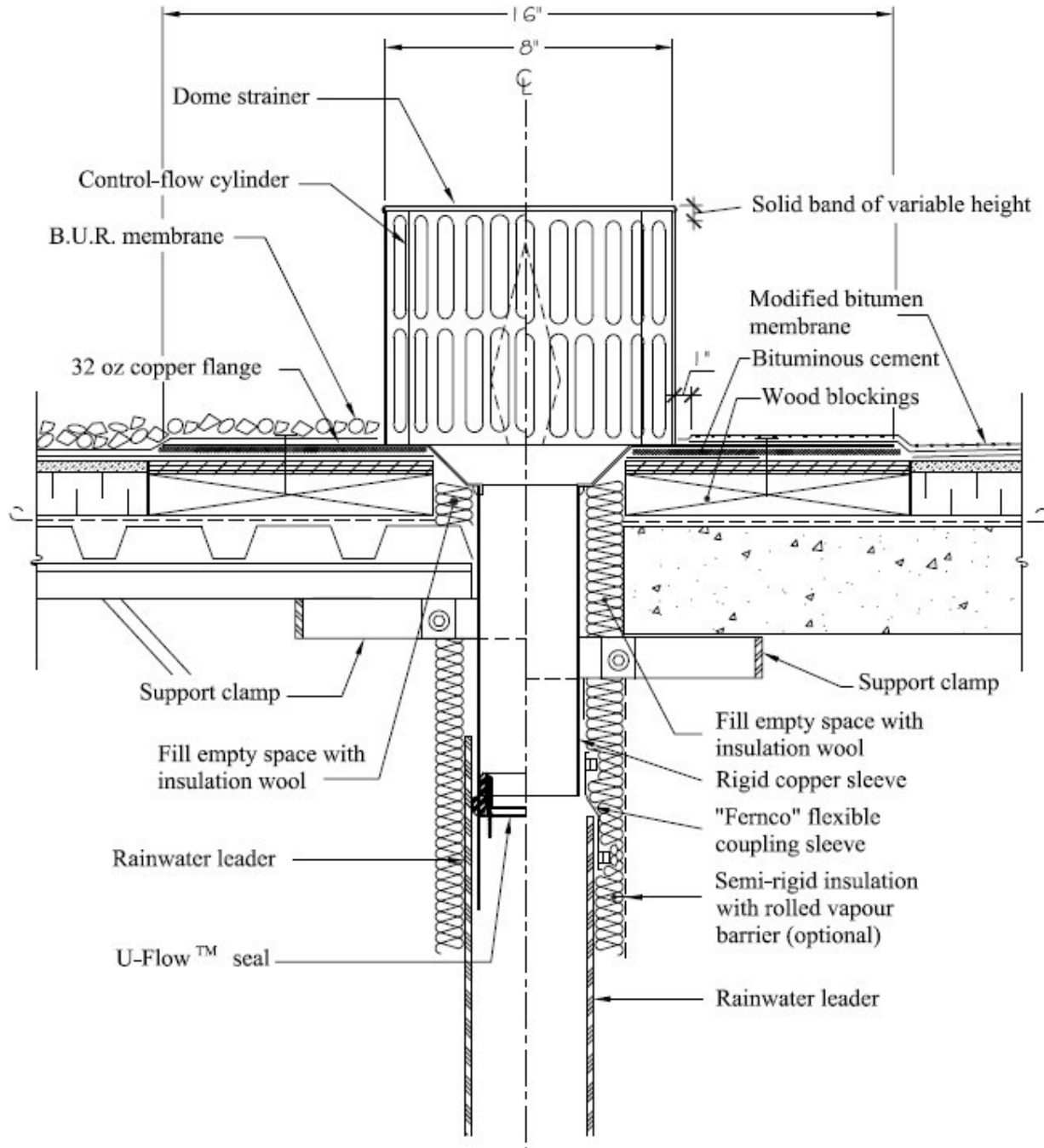
Copper flange folded down in the drain sleeve



Standards dimensions			
D(interior)	Th	F	L
2" (51 mm)	0.050" (1,27 mm)	Diameter 16" (400 mm)	12" & 18" (300 & 450 mm)
2 5/8" (67 mm)	0.050" (1,27 mm)		
3" (76 mm)	0,045" (1,14 mm)		
3 5/8" (92 mm)	0,072" (1,83 mm)		
4" (102 mm)	0.058" (1,47 mm)		

## ULTRA SELECT PLUS COPPER ROOF DRAIN

### TYPICAL DETAIL



## ULTRA SELECT PLUS COPPER ROOF DRAIN

### OPTION: CONTROL-FLOW

When the drainage system is restricted and to avoid overloading the interior rainwater leader, a copper control-flow cylinder can be installed in the dome strainer: refer to table 1.

Table 1 : Control-flow cylinder

Height (H)	Water flow (Gallon/minute) (U.S)	Width (mm) (L)
127	27.5	1.050727
101.6	21.5	2.982007
76.2	15.7	5.813049
50.8	10.5	11.669353
24.5	5	22.58513
0	0	19.8

### OPTION: CONTROL-FLOW (CONT'D)

1: Diameter of the drain or of the existing interior rainwater leader (refer to the smallest diameter).

The calculations are based on the average of the nominal values.

2: Refer to the technical data sheet of *Murphco Ultra\** copper drain.

3: The "U-Flow"<sup>TM</sup> seal reduces the diameter when installed:

- 16 mm (5/8") for the drain of 67 mm (2 5/8") diameter
- 25 mm (1") for the drain of 92 mm (3 5/8") diameter
- 17 mm (11/16") for the drain of 117 mm (4 5/8") diameter
- 20 mm (3/4") for the drain of 143 mm (5 5/8") diameter

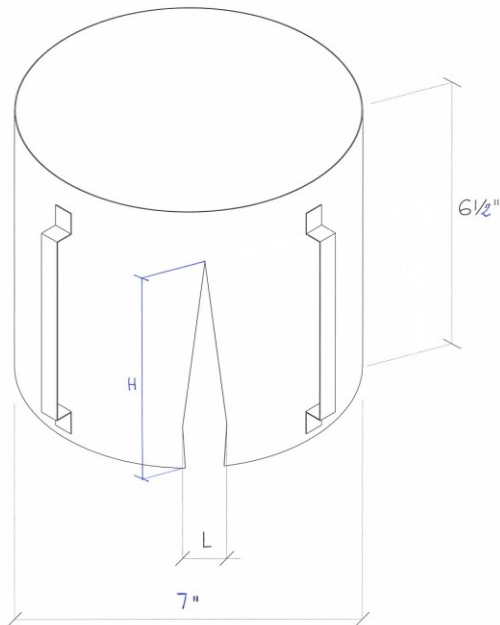
4: Others: - "MJ" clamp collar

- "Fernco" flexible coupling sleeve
- Roof bituminous cement joint

5: When more than one, divide up equally around the cylinder.

## ULTRA SELECT PLUS COPPER ROOF DRAIN

### CONTROL-FLOW DIMENSIONS



H (mm)	L (mm)
127	1.050727
101.6	2.982007
76.2	5.813049
50.8	11.669353
25.4	22.58513
0	19.8

SEE TABLE - I, PAGE 6

L : horizontal  
H : vertical

**Application field:** The plumbing installation should be made in conformity with the appropriate provincial, territorial or municipal rules or, in absence of such regulation, with the current Canadian Plumbing Code.

**Notice to plumbing / Roofing contractor:** When a copper drain sleeve must be cut for adjustment to appropriate length, avoid the use of vibrating tools that could generate fissures in the copper flange or sleeve along the solder. Rather utilize a circular cutter.

## **ULTRA SELECT PLUS COPPER ROOF DRAIN**

DESIGNED AND MANUFACTURED BY LES PRODUITS MURPHCO LTÉE

---

Technical assistance or further information may be obtained from:



Manufacturier et spécialiste de drains de toiture

Boutique de Métal en feuille

4955, rue Brock Montréal, Qc, H4E 1B5

Tél : (514) 937-3275 Fax : (514) 937-6797

Site web : [www.produitsmurphco.com](http://www.produitsmurphco.com) Courriel : [info@produitsmurphco.com](mailto:info@produitsmurphco.com)

DOCUMENTATION PREPARED WITH THE TECHNICAL COOPERATION OF:

---

### **Englobe**

1200, boul. Saint-Martin Ouest, bureau 400

Laval (Québec) H7S 2E4

T 514.281.5173

F 450.668.5532

[info@englobecorp.com](mailto:info@englobecorp.com)

### NOTICE

---

The information and specification provided in this document are applicable at time of publication. They are condensed from the exact results obtained through real tests and field experience but may not be construed as implying any absolute and final dictate on our part. **Les Produits MURPHCO Ltée** Reserves the right to modify, without notice, the information provided in the present document, as a result of its research and development policy on its products.