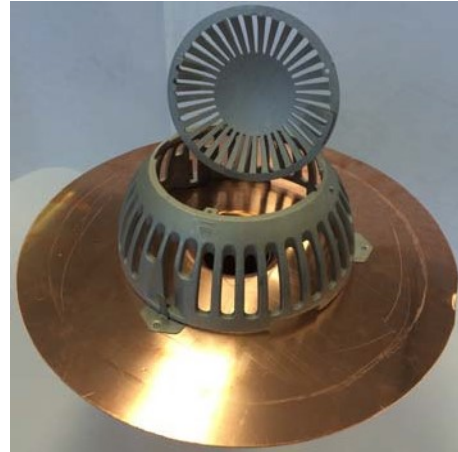


ULTRA DOME COPPER ROOF DRAIN

DESCRIPTION

The *Ultra Dome* copper roof drain is a set made of the *Murphco Ultra** copper roof drain as basic element, capped with aluminum dome strainer held in place by 3 stainless steel strips permanently wedged-in to the copper flange.

The moulded aluminum dome strainer is equipped with a lid that protects the drainage system against vandalism and enables the necessary access for cleaning maintenance.



The *Ultra Dome* copper roof drain is characterized by its unique and complete anti-vandalism design, being exclusively made of compatible and very strong materials against time weathering. Use: recommended for all types of flat roofs: industrial, commercial and institutional.

MATERIALS AND TECHNICAL DESCRIPTION

Drain	: <i>Murphco Ultra*</i> copper roof drain with diameter flange of 18" (452 mm);
Dome strainer	:Murphco moulded aluminum dome strainer with moulded aluminum opening lid screwed to the basic dome;
Holding strips	:3 stainless steel strips holding the dome strainer, each one permanently anchored to the flange by 3 wedged-in watertight bits ;
Solder	: <i>MIG</i> solder at flange / sleeve joint;
Screw	:Stainless steel (1).

COMPATIBILITY OF MATERIALS

The moulded aluminum of the dome strainer is an "active" metal which is likely to corrode, at a minor extent on a long period of time, due to oxidation under wet conditions. Such corrosion shall be negligible, on account of the quality and thickness of the moulded aluminum of the dome strainer. As for the copper flange, such "passive" metal shall not be altered in quality by its natural oxidation, so that the long term performance of the copper drain is acquired.

DIMENSIONS

<u>Dome strainer</u>	<u>Cap</u>
Height: 4" (102 mm)	Height : 1 1/2" (38 mm)
Diameter: 9 3/4" (248 mm)	Diameter: 6 5/8" (168 mm)
Standard orifice: 36	Standard orifice: 36

ULTRA DOME COPPER ROOF DRAIN

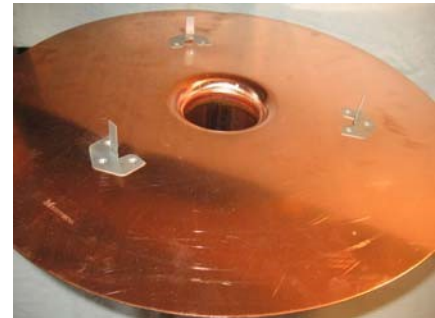
CHARACTERISTICS

- Unique and complete anti-vandalism design;
- Dome strainer held by 3 stainless steel strips permanently wedged-in to the flange, thus avoiding possible warping of copper flange when otherwise anchored with solder;
- Unscrewable opening lid on the strainer;
- No mechanical anchor that could perforate the membrane and the flange;
- All the materials are made of copper, stainless steel and moulded aluminum, ensuring a remarkable life expectancy;

INSTALLATION

This roof drain assembly can be used with all types of membranes, on flat roofs (see Murphco Ultra data sheets and also page 5 of the present document).

The roofer may decide to stop applying his membrane around the base of the already shop-anchored dome strainer or to extend his membrane as far as the edge of the central drain opening. In the latter case, special care shall be taken not to endamage the 3 vertical stainless steel strips when applying each membrane ply. Once all membrane plies in place, the dome strainer shall be positioned and finally anchored in place by the 3 anchor strips to be folded onto the strainer base ring through their respective openings. When placing his Ultra Dome drain order, the roofer shall specify whether or not the dome strainer has to be already shop-anchored to the drain flange.



FEATURES & WARRANTY

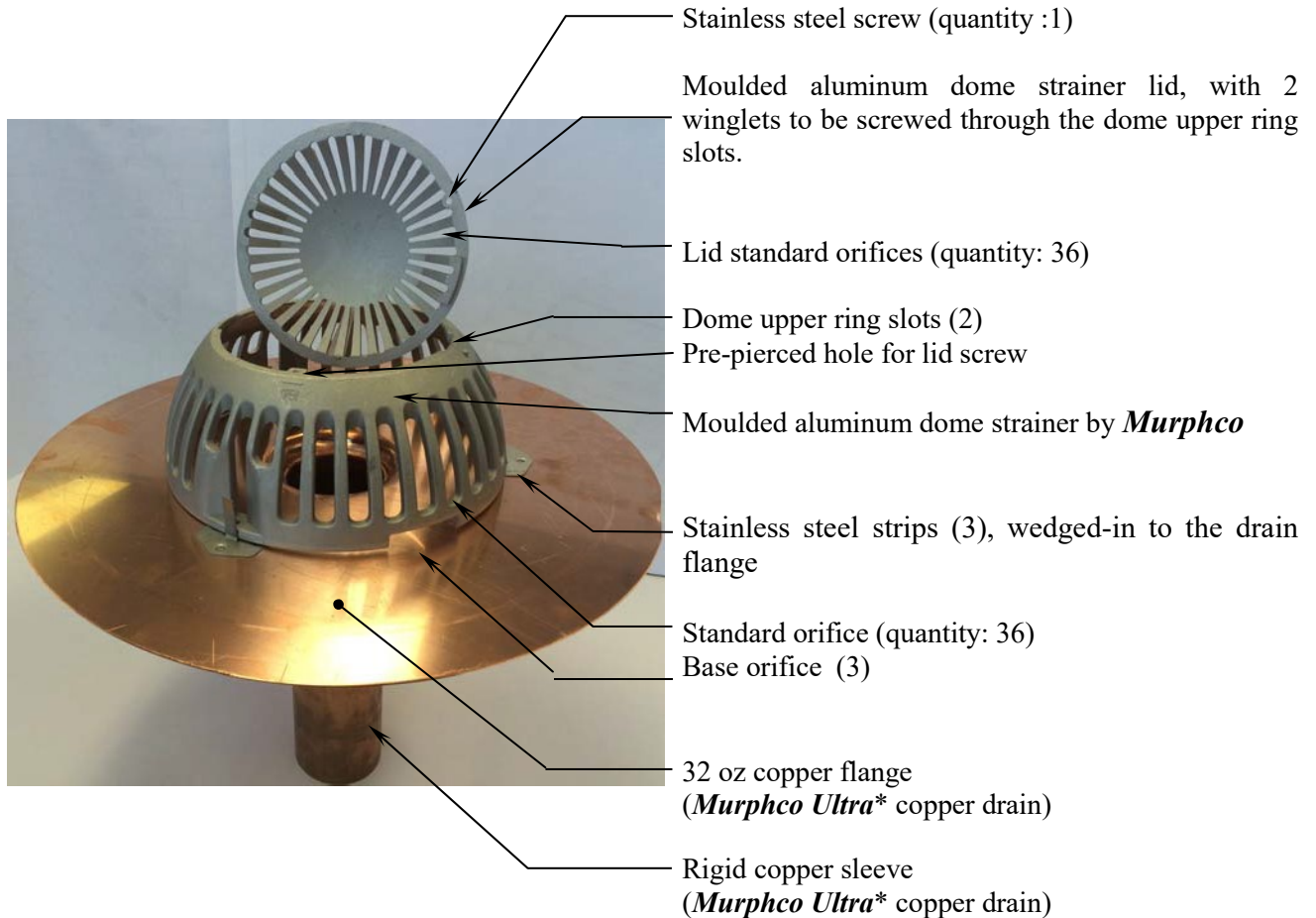
- Complete anti-vandalism system;
- Permanent dome strainer with opening lid;
- Rigid copper drain sleeve, without joint, clip and vertical solder;
- 32 oz copper flange folded down in the sleeve with patented *Murphco* punch;
- MIG solder;
- Compatible with U-Flow™ seal**, clamp collar and coupling sleeve for a maximum flow;
- Durability, quality and industrial grade;
- Life time warranty against corrosion;
- Guaranteed against corrosion and fabrication defects.

* Mark of Les Produits Murphco Ltée, see appropriate technical data sheet

** Trade Mark of Olympic U-Flow Roof Drains and Accessories

ULTRA DOME COPPER ROOF DRAIN

ASSEMBLY



anti-vandalism assembly

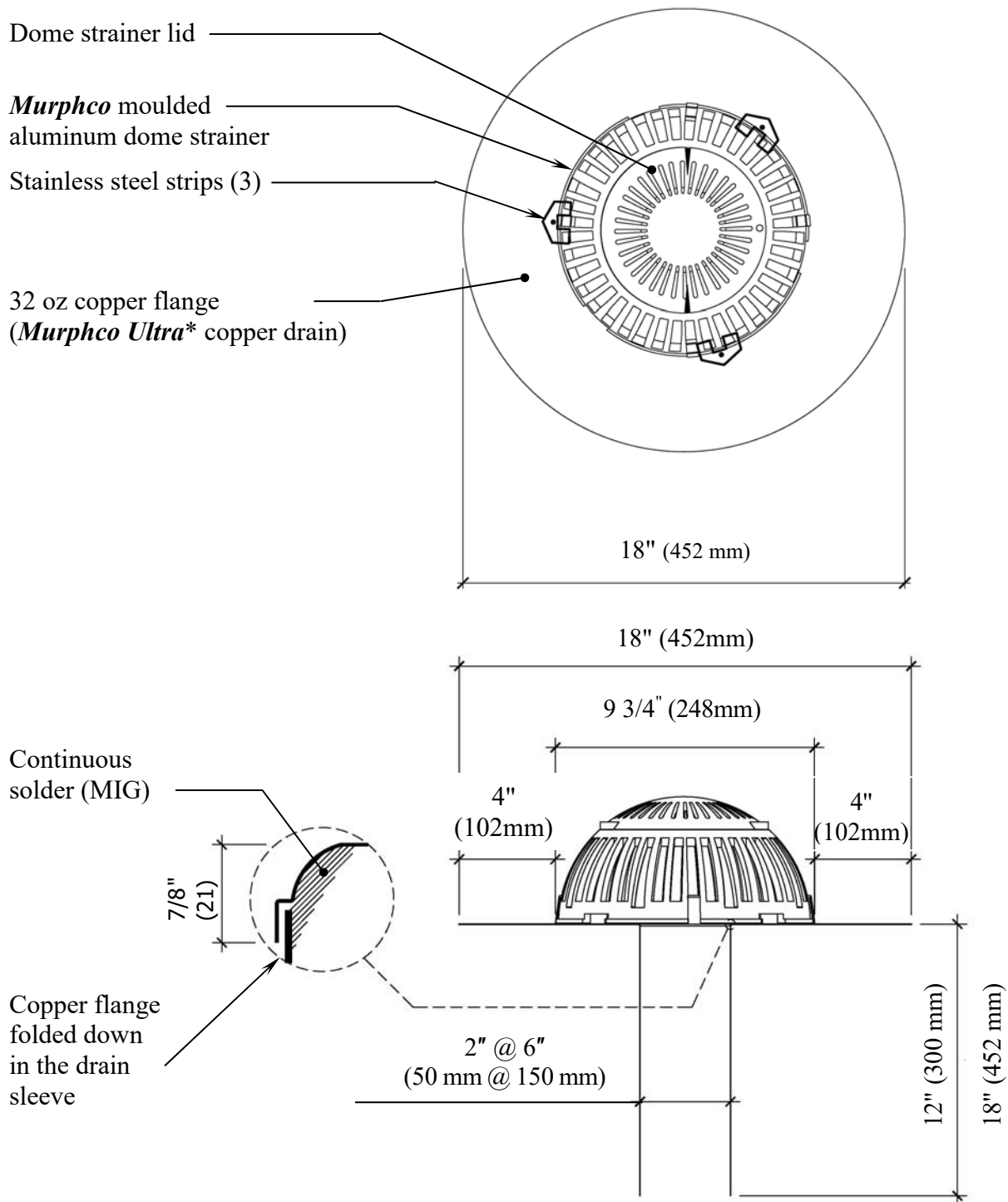
USUALLY SUPPLIED

When you buy an *Ultra Dome* copper drain, you get:

- 1 *Murphco Ultra** copper drain;
- 1 moulded aluminum dome strainer shop-anchored to the drain flange (or not anchored as per roofer's choice);
- 1 moulded aluminum lid screwed into the dome strainer slots;
- 1 stainless steel screw;

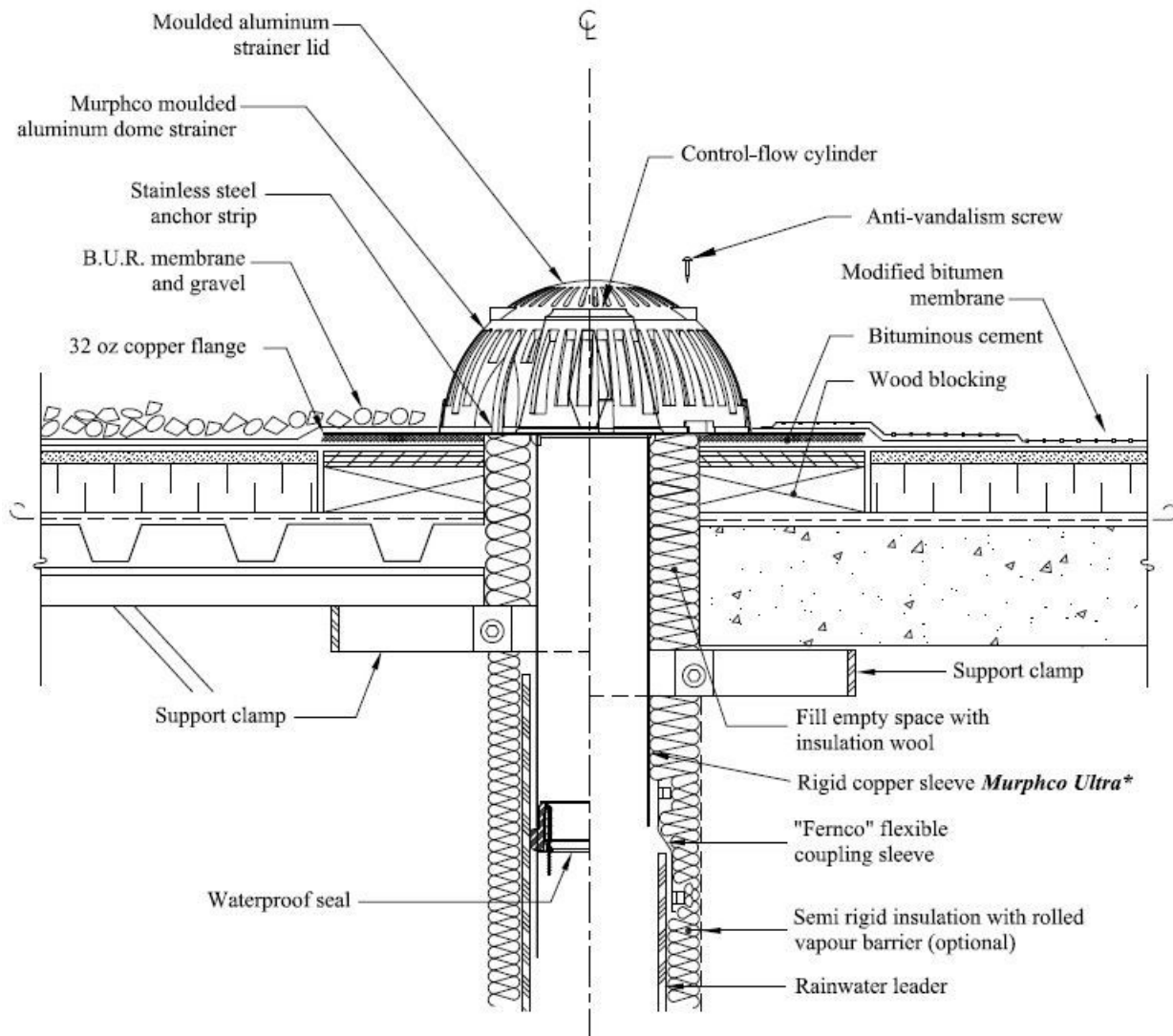
ULTRA DOME COPPER ROOF DRAIN

DRAIN SECTION



ULTRA DOME COPPER ROOF DRAIN

TYPICAL DETAIL



Application field:

The plumbing installation should be made in conformity with the appropriate provincial, territorial or municipal rules or, in absence of such regulation, with the current Canadian Plumbing Code.

Notice to plumbing or roofing contractor:

When a copper drain sleeve must be cut for adjustment to appropriate length, avoid the use of vibrating tools that could generate fissures in the copper flange or sleeve along the solder. Rather utilize a circular cutter. Any improper method shall invalidate the guaranty.

ULTRA DOME COPPER ROOF DRAIN

DESIGNED AND MANUFACTURED BY LES PRODUITS MURPHCO LTÉE.

Technical assistance or further information may be obtained from:



Manufacturier et spécialiste de drains de toiture
Boutique de Métal en feuille

4955, rue Brock Montréal, Qc, H4E 1B5

Tél : (514) 937-3275 Fax : (514) 937-6797

Site web : www.produitsmurphco.com Courriel : info@produitsmurphco.com

DOCUMENTATION PREPARED WITH THE TECHNICAL COOPERATION OF:

Englobe

1200, boul. Saint-Martin Ouest, bureau 400

Laval (Québec) H7S 2E4

T 514.281.5173

F 450.668.5532

info@englobecorp.com

NOTICE

The information and specification provided in this document are applicable at time of publication. They are condensed from the exact results obtained through real tests and field experience but may not be construed as implying any absolute and final dictate on our part. **Les Produits MURPHCO Ltée** Reserves the right to modify, without notice, the information provided in the present document, as a result of its research and development policy on its product.