

## PROCAST DOME STRAINER

### DESCRIPTION

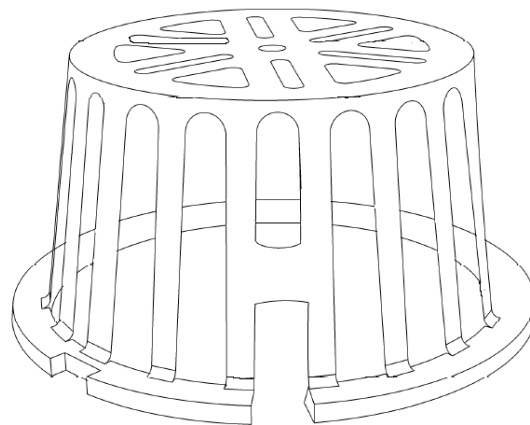
Cast aluminum dome strainer made for flat roof drains. The dome strainer is compatible with the *Murphco Ultra Plus*\* copper drain clamping ring. More over, the dome strainer can be adapted to any type of drain with the "gripping" rubber coated legs that are tightly adjusted into the copper drain sleeve or into the mechanical drain body.

The dome strainer is made from an aluminum alloy melted over 650° C (1200° F) temperature to be casted by gravity in a cast iron "permanent" mould, and removed from the mould once cooled down. This type of mould generates more resistant pieces, with generally, 20% to 30% superior mechanical characteristics in opposition with other types of moulds. The dome strainer is manufactured as per *Les Produits Murphco Ltée* specification, by a specialized, recognized and certified ISO 9002 company.

The **Procast** dome strainer includes a wider base-slot to prevent a complete clogging by accumulated debris.

### TECHNICAL DESCRIPTION OF FINISHED PRODUCT

Color : Aluminum (metallic gray)  
Dome : Cast aluminum alloy  
Alloy : 356 or 413  
Legs : Extruded aluminum  
: 6063 T5 solid  
: Rounded end  
Rubber : Red Color Guard No. 17545  
Screws : Stainless steel  
: 2 screws of ¼" - 20 x 3"  
: 2 screws of ¼" - 20 x ¾"



"Procast" dome strainer

Dimensions		
Height	3¾"	95 mm
Maximum diameter	6½"	190 mm
Standard orifice opening	1,92 po <sup>2</sup>	1238,5 mm <sup>2</sup>
Total vertical opening	37.2 po <sup>2</sup>	24000 mm <sup>2</sup>
Legs height	6¾"	170 mm
Total weight of assembly	12,17 oz	345 g

## PROCAST DOME STRAINER

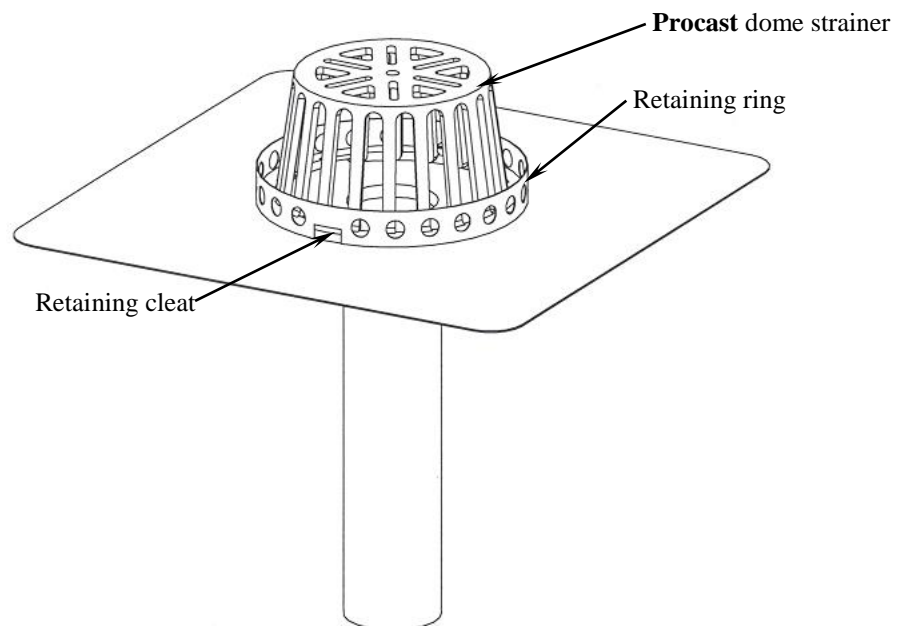
### INSTALLATION

#### Generality:

The dome strainer is installed on any existing or new roof drain of 25 mm to 43 mm (1" à 5 $\frac{5}{8}$ " ) diameter. The dome strainer is tightly caught in place by the rubber coated adjustable legs. The two legs are tightened in final position with the stainless steel screws on the drain body. The rubber coating ties up the legs to the internal metal surface of the drain and prevents any potential chemical reaction between the two different metal surfaces.

#### *Murphco Ultra Plus\** copper drain:

The design of the ring which firmly retains the dome strainer in place makes it a very distinctive roof drain assembly. The **Procast** dome strainer may be easily and rapidly installed or removed without the use of tools, simply by rotating the strainer.



*Murphco Ultra Plus\** copper drain

### USUALLY SUPPLIED

When you buy the **Procast** aluminum dome strainer, you get:

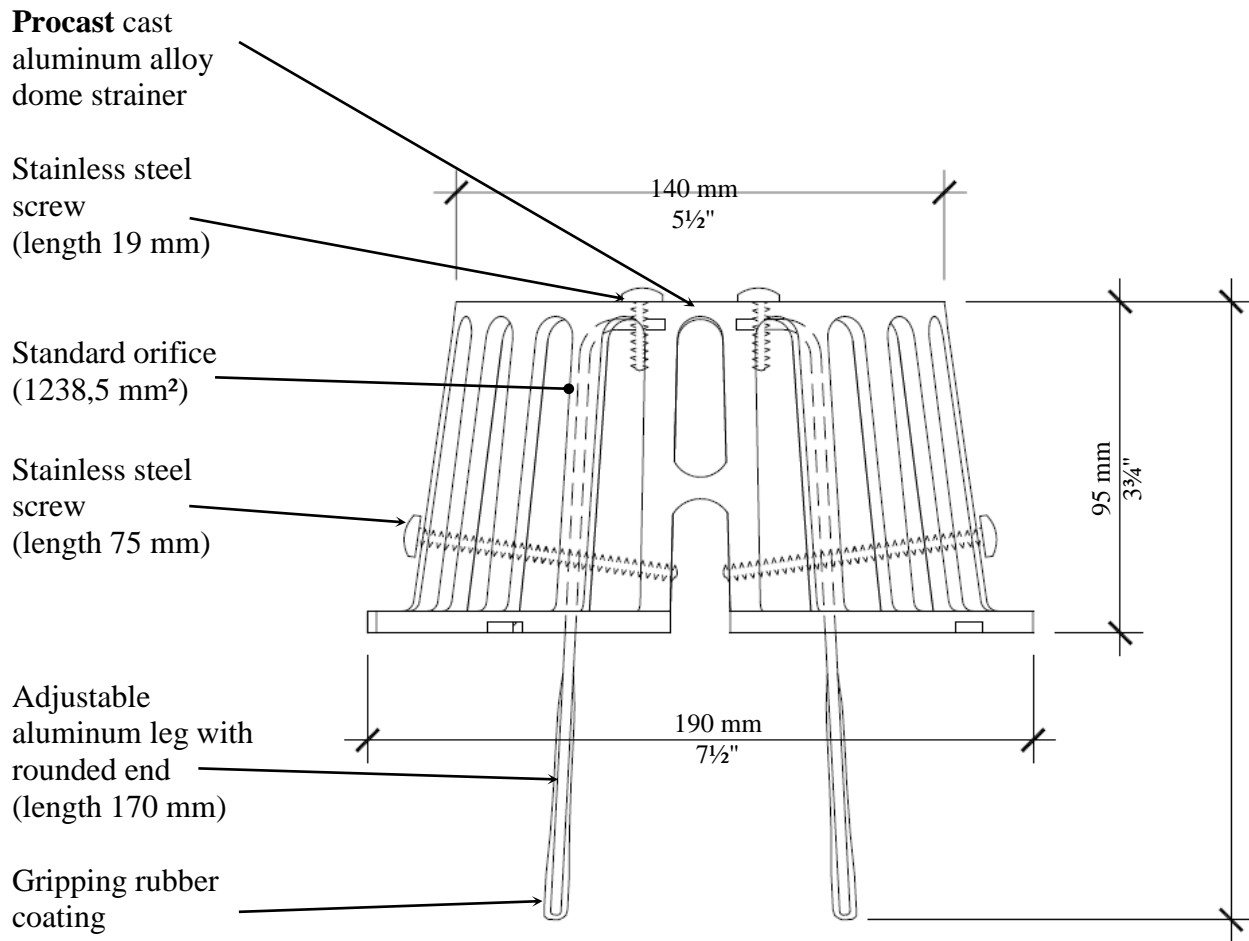
- 1 cast aluminum alloy dome strainer
- 2 rubber coated aluminum legs
- 2 stainless steel screws of 75 mm (3") and 2 screws of 19 mm ( $\frac{3}{4}$ ")

or

- **Procast** dome strainer, included with the *Murphco Ultra Plus\** copper drain.

## PROCAST DOME STRAINER

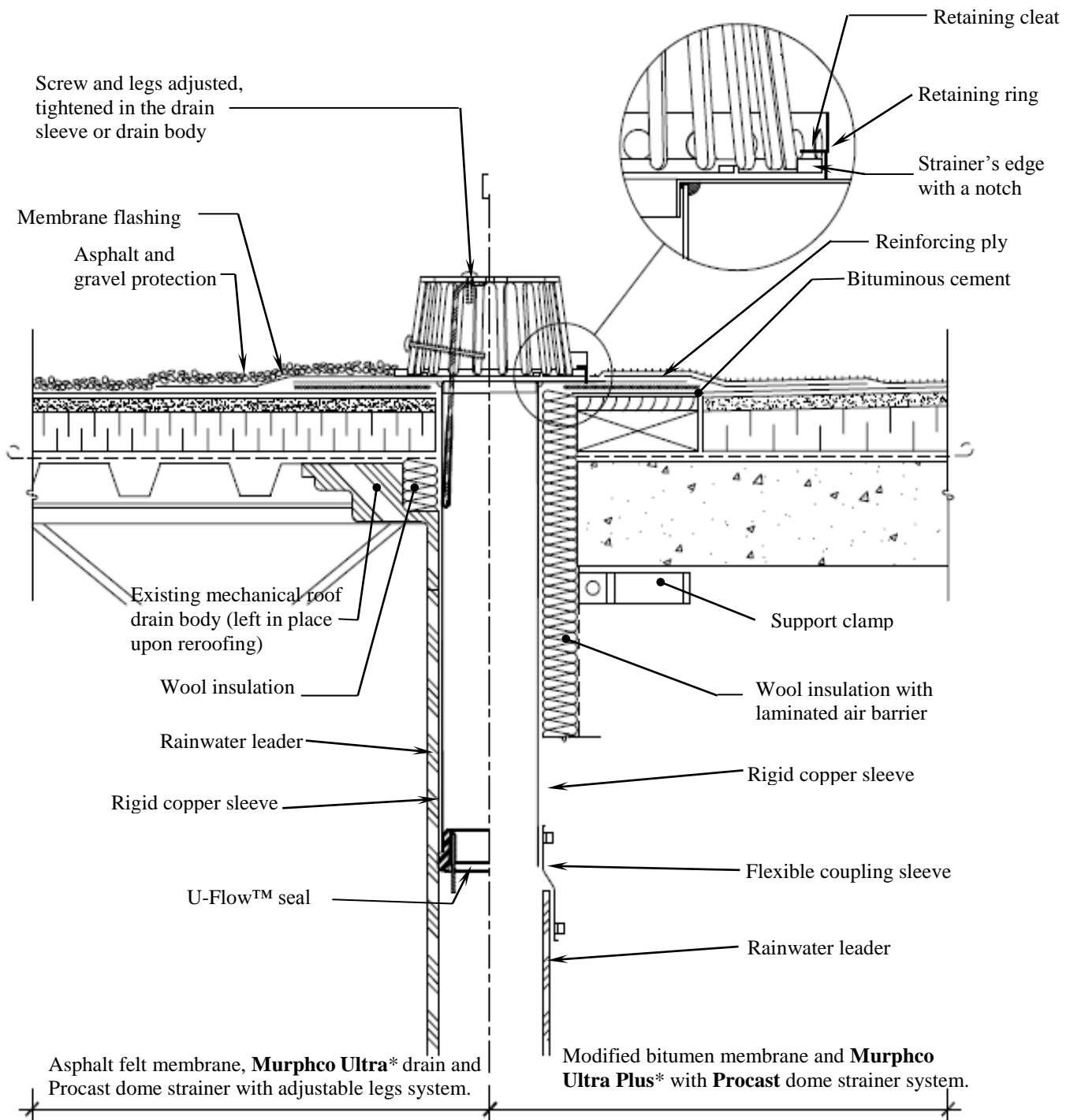
### TECHNICAL DRAWING



**Procast dome strainer with adjustable legs**

## PROCAST DOME STRAINER

### TYPICAL ASSEMBLING



## PROCAST DOME STRAINER

DESIGNED AND MANUFACTURED BY LES PRODUITS MURPHCO LTÉE

---

Technical assistance or further information may be obtained from:

### Les Produits MURPHCO Ltée

4955 Brock st.

Montreal, Quebec, Canada

H4E 1B5

Telephone: (514) 937-3275

Fax: (514) 937-6797

E-mail: [info@produitsmurphco.com](mailto:info@produitsmurphco.com)

Web: [www.produitsmurphco.com](http://www.produitsmurphco.com)

DOCUMENTATION PREPARED WITH THE TECHNICAL COOPERATION OF:

---

Englobe 1200, boul. Saint-  
Martin Ouest, bureau 400  
Laval (Québec) H7S 2E4 T  
514.281.5173 F  
450.668.5532  
[info@englobecorp.com](mailto:info@englobecorp.com)

---

## NOTICE

---

The information and specification provided in this document are applicable at time of publication. They are condensed from the exact results obtained through real tests and field experience, but may not be construed as implying any absolute and final dictate on our part. **Les Produits MURPHCO Ltée** Reserves the right to modify, without notice, the information provided in the present document, as a result of its research and development policy on its products.