

Les Produits MURPHCO Ltée

TECHNICAL DATA

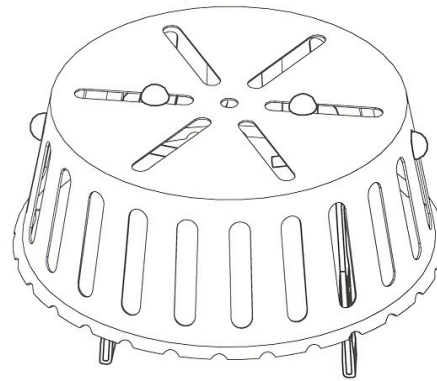
MOULDED DOME STRAINER

DESCRIPTION

Sturdy aluminum dome strainer shop moulded available in three sizes, the small with 16 vertical slots, the medium with 22 slots and the large with 31 slots. This strainer is compatible with the *Murphco** copper roof drains. It is held in place by its two adjustable legs wrapped with a plastic coating and tightened in the drain sleeve or in the mechanical drain body. This dome strainer can be used as control-flow type when fabricated with a reduced number of slots, see table on page 4.

TECHNICAL DESCRIPTION OF FINISHED PRODUCT

Color : Aluminum (metallic grey)
 Dome : Moulded aluminum
 Series: 1100
 Legs : Extruded aluminum
 6063 T5 solid
 Rounded end
 Coating : Red plastic Color Guard
 No. 17545
 Screws : 2 screws of ¼" x 3"
 2 screws of ¼" x ¾"



Moulded dome strainer

Dimensions							
SIZE	SMALL		MEDIUM		LARGE		
Height	3½"	90 mm	3½"	90 mm	3½"	90 mm	
Maximum width	6¾"	173 mm	9⅛"	232 mm	13¾"	350 mm	
Legs height	6¾"	170 mm	6¾"	170 mm	6¾"	170 mm	
Distance between the legs	min.	1"	25 mm	3⅜"	85 mm	9"	228 mm
	max.	6¾"	173 mm	9⅛"	232 mm	13¾"	350 mm
Total weight of assembly	12,17 oz	345 g	16,4 oz	465 g	29.8 oz	845 g	

* Trade mark of Les Produit Murphco Ltée, see appropriate data sheet

MOULDED DOME STRAINER

INSTALLATION

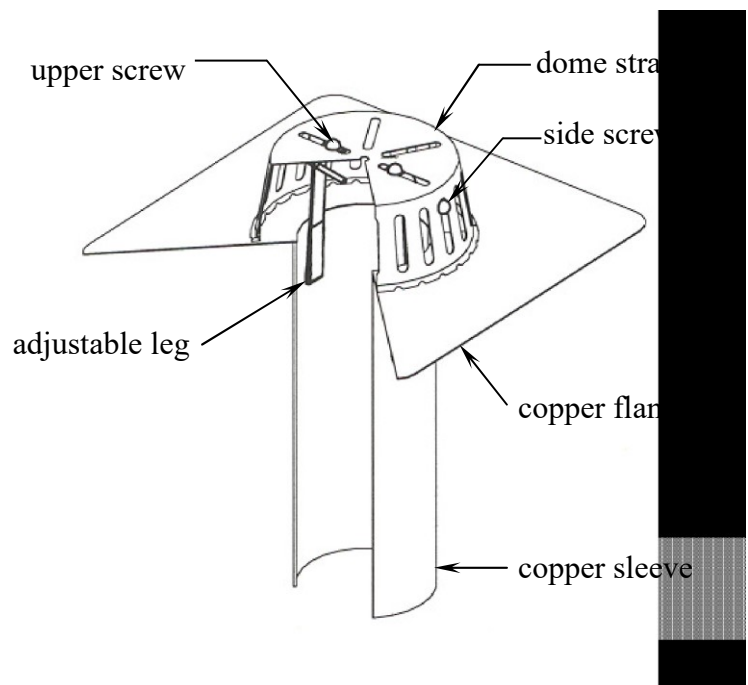
Generalities:

The dome strainer is installed on any existing or new roof drain of a diameter varying from 25 mm to 350 mm (1" to 13¾"), as per the size of retained strainer. The dome strainer is held in place by the plastic coating wrapping its adjustable legs, against the interior of the drain sleeve or on the body of a mechanical drain. The large dome strainer has been specially designed to replace damaged strainer of older mechanical drains with unavailable replacement strainers.

Thus, the legs coating grips into the interior metal surface of the drain, holding firmly the dome strainer in place and prevents the chemical reaction between the materials.

Typical assembly of a *Murphco** copper drain with a dome strainer:

The dome strainer can be installed or removed quickly, without any special tool, simply by inserting the dome with its legs and adjusting them with the 4 screws. Install the dome strainer, adjust the legs and tighten the upper screws to retain the legs and finish by screwing the side screws against the interior of the sleeve to hold the strainer in place.



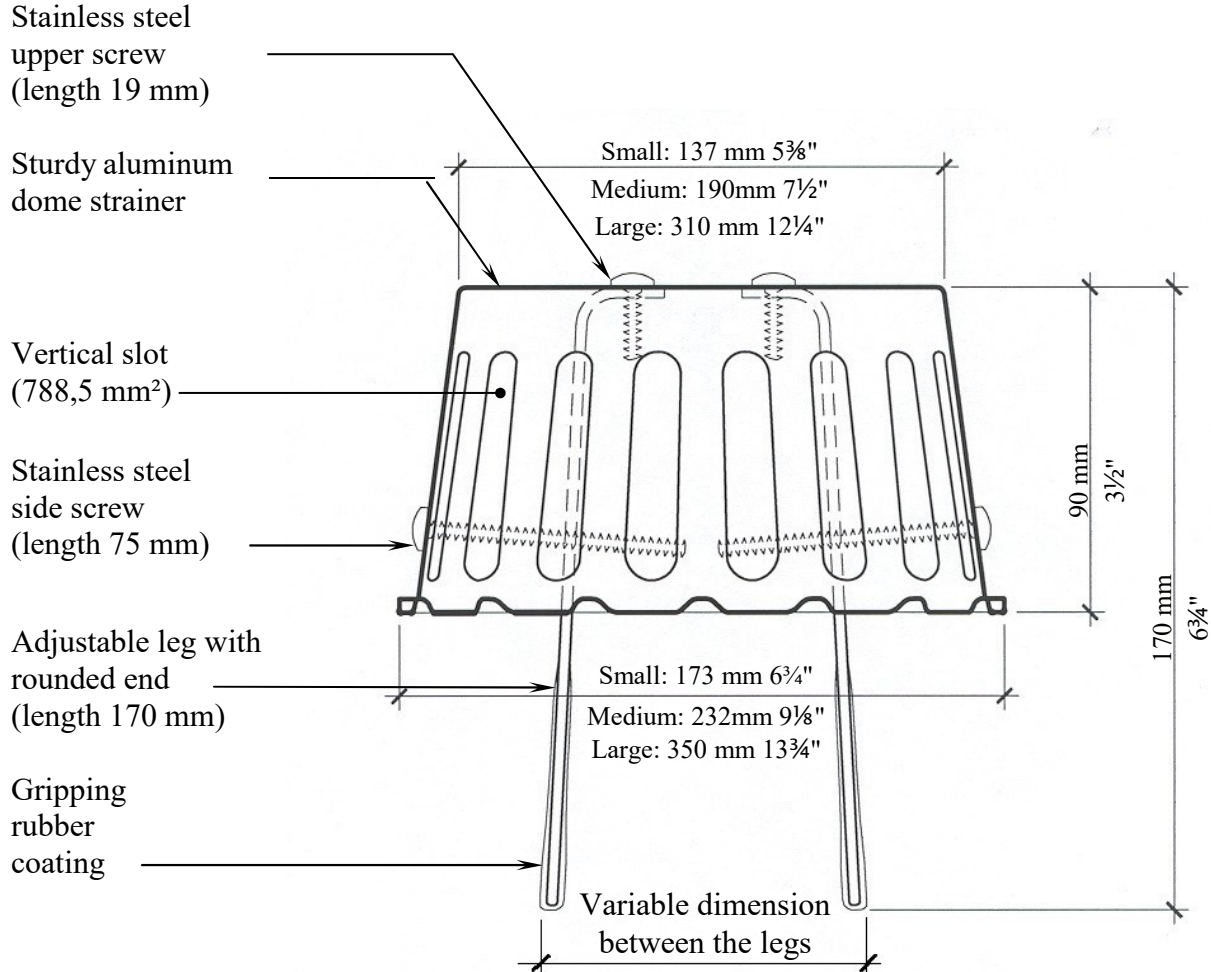
USUALLY SUPPLIED

When you buy the dome strainer, you get:

- 1 sturdy aluminum dome strainer;
- 2 legs with gripping rubber coating for the "small" and "medium" and 3 for the "large" strainer
- 2 screws of 75 mm (3") and 2 screws of 19 mm (¾"), plus 2 more for the "large" one

MOULDED DOME STRAINER

TECHNICAL DATA



Sturdy aluminum dome strainer with adjustable legs

Scale: 1:2

SIZE & TYPES AVAILBLE

Type	Standard (conventional)	Inverted	Control-flow
Sizes			
Small	no. 10		no. 12-X
Medium	no. 20	no. 21	no. 22-X
Large	no. 30	no. 31	no. 32-X

MOULDED DOME STRAINER

OPTION: CONTROL-FLOW

When the interior drainage capacity is limited and in order to avoid overflowing, it is possible to reduce the number of slots in the fabrication process, as per the corresponding drain opening, see table.

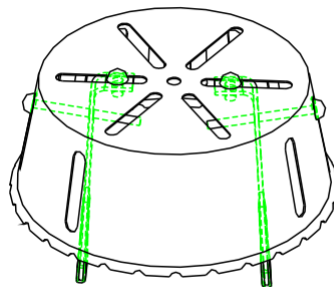
Small standard control-flow dome strainer (no. 12-X)				
Drain diameter* ¹		Drain opening* ²		Maximum slot of 788.5 mm ² (1.22 in ²) each on dome strainer * ³
mm	in	mm ²	po ²	
50	2	1963	3.14	1: 1761 mm ² , 2.73 in ²
75	3	4418	7.07	4: 4126 mm ² , 6.40 in ²
100	4	7854	12.57	8: 7280 mm ² , 11.28 in ²
125	5	12272	19.63	14: 12011 mm ² , 18.62 in ²
Medium standard control-flow dome strainer (no. 22-X)				
100	4	7854	12.57	8: 7280 mm ² , 11.28 in ²
125	5	12272	19.63	14: 12011 mm ² , 18.62 in ²
150	6	17671	28.27	20: 16948 mm ² , 26.27 in ²
175	7	24053	38.48	22: 18525 mm ² , 28.71 in ²
Large standard control-flow dome strainer (no. 32-X) * ⁴				
The large dome strainer is available on request with the control-flow option with the maximum number of vertical slots in accordance with the drain opening,				

*1: Drain opening or interior water column diameter (use smallest diameter)

*2: Minimum opening surface

*3: Maximum number of slots on the dome strainer to avoid overloading the drainage line

*4: Replacement strainer with integrated control-flow specially designed for damaged control-flow on existing mechanical drain of older model



Small standard control-flow dome strainer 12-4

Les Produits MURPHCO Ltée

TECHNICAL DATA

MOULDED DOME STRAINER

DESIGNED AND MANUFACTURED BY LES PRODUITS MURPHCO LTÉE

Technical assistance or further information may be obtained from:



Manufacturier et spécialiste de drains de toiture

Boutique de Métal en feuille

4955, rue Brock Montréal, Qc, H4E 1B5

Tél : (514) 937-3275 Fax : (514) 937-6797

Site web : www.produitsmurphco.com Courriel : info@produitsmurphco.com

DOCUMENTATION PREPARED WITH THE TECHNICAL COOPERATION OF:

Englobe

1200, boul. Saint-Martin Ouest, bureau 400

Laval (Québec) H7S 2E4

T 514.281.5173

F 450.668.5532

info@englobecorp.com

NOTICE

The information and specification provided in this document are applicable at time of publication. They are condensed from the exact results obtained through real tests and field experience but may not be construed as implying any absolute and final dictate on our part. **Les Produits MURPHCO Ltée** Reserves the right to modify, without notice, the information provided in the present document, as a result of its research and development policy on its products.