

## ULTRA TPO drain

### DESCRIPTION

Murphco's TPO roof drain is made out of an Ultra series aluminum roof drain, which consists of 1100 series flange and a 6160 alloy sleeve with no joints or vertical welds.

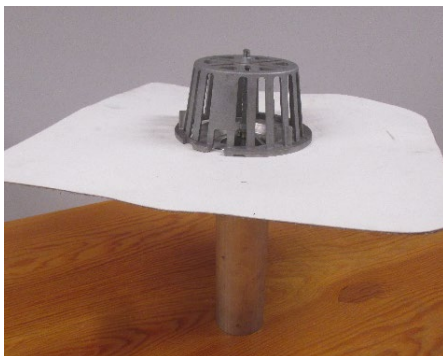
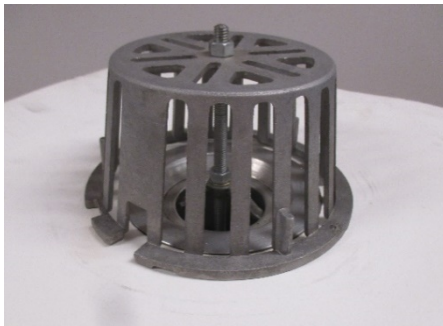
A TOP membrane is then compressed and held in place with an aluminum clip, sealed with water block (or equivalent) on both sides of the clip and expanded against the inside walls of the sleeve.

Refer to the Ultra roof drain technical data sheet for more information about the aluminum roof drain.

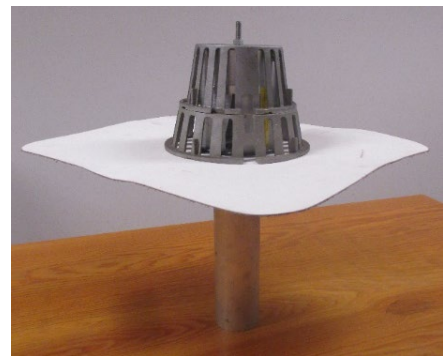


This type of drain can also be built to receive the procast or duo procast strainers, which are held in place mechanically by a rod and a bolt screwed in a rivet nut on a stainless steel attachment that we add to the aluminum clip in the building process

With PROCAST DOME STRAINER



With Ajustable control flow cylinder and Duo procast Strainer



---

## **INSTALLATION**

---

### **At the level of the membrane**

This type of roof drain is meant to be installed on a TPO roof (please specify the brand of membrane you are using on your project)

Install the floor membrane, then make a hole the size of the sleeve in the location of the drain.

Apply some water block under the flange

Anchor the flange to the previously installed wooden nailing background using the pre-drilled holes around the border.

Weld the TOP membrane of the drain to the already installed floor membrane, using an hot air welder.

**Note** Refer to manufacturer recommendations for quantity of mastic, type of mastic and welding method to use on the construction site.

### **Connection to the water column:**

The sleeve/water column connection can be done using several methods:

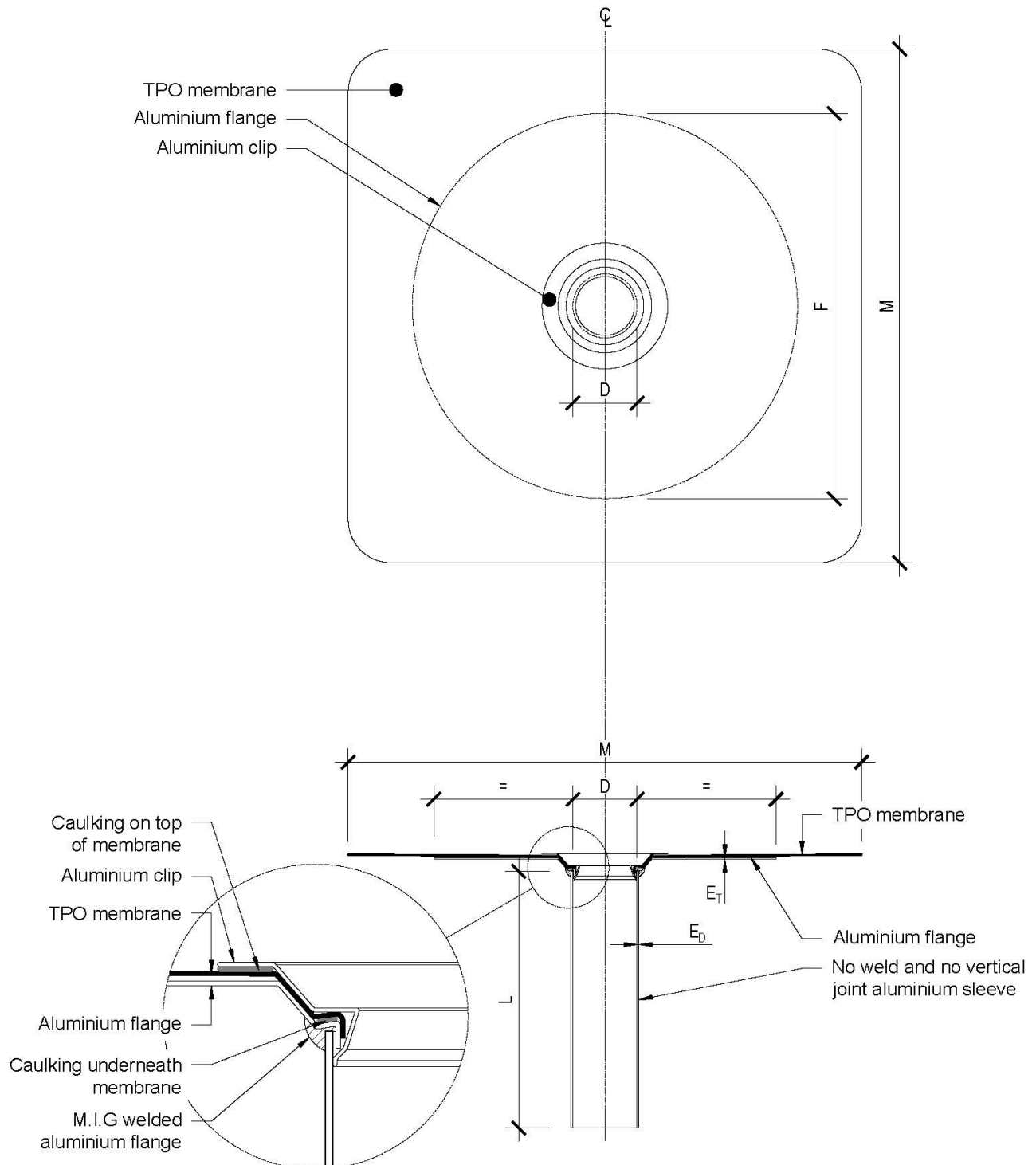
1. If the water column is accessible from the inside, cut the sleeve to the appropriate length and install a clamping collar for 3'' and 4'' roof drains or a flexible coupling sleeve for other sizes.
2. When using a 2 5/8'' or 3 5/8'' (retrofit), the sleeve can be connected to the water column using a U-flow and mechanical seal or equivalent.
3. If the first and second options are not possible, you can make a plastic cement "donut" around the exterior of the sleeve before you insert it in the water column.

### **Avantages and Warranty**

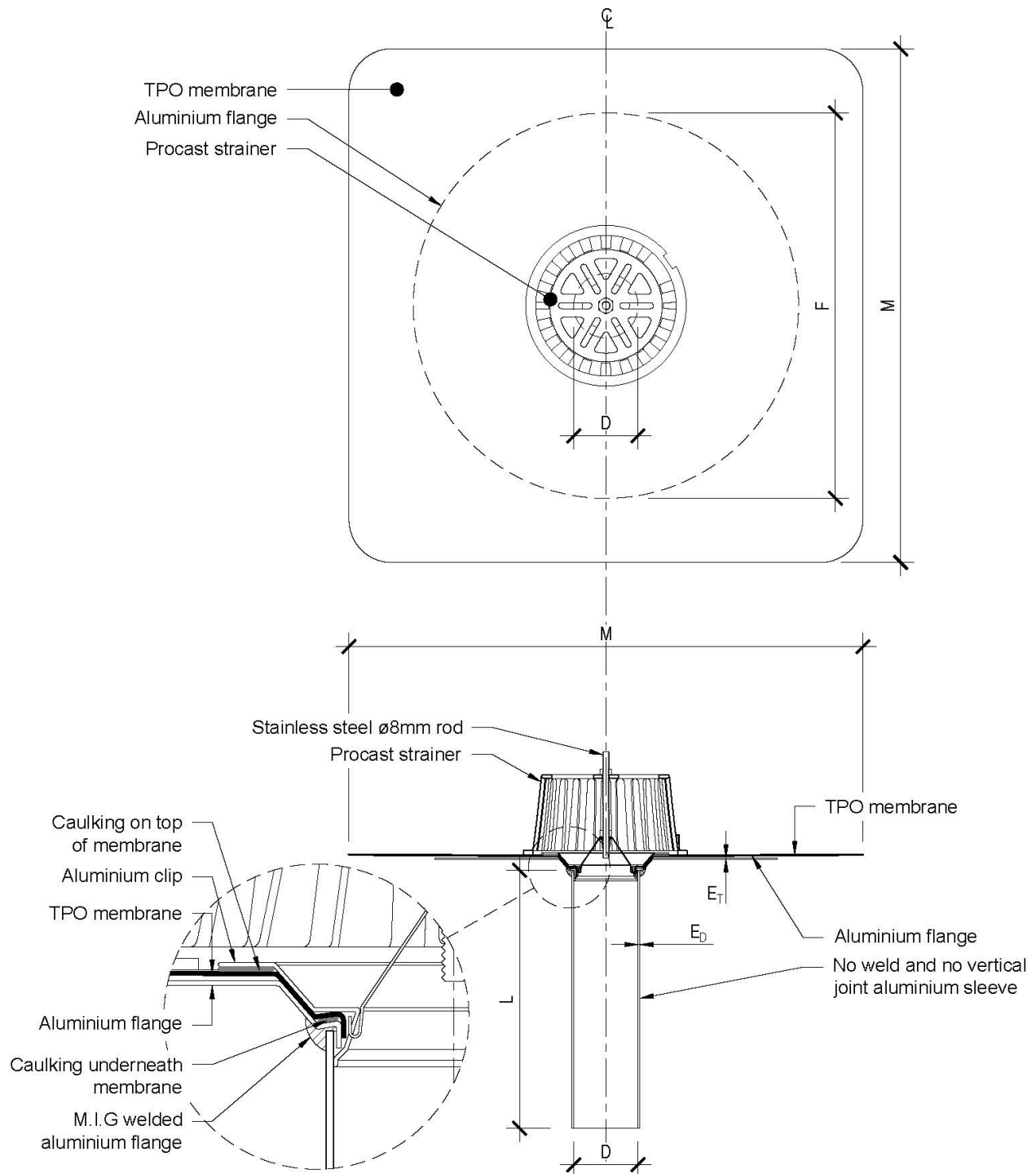
---

- TOP membrane (0.060'') with no joint, bent, clamped and compressed with the aluminum clip inside the mouth of the drain.
- Choice of manufacturer's TPO membrane.
- Drain sleeve made of 1/8'' 6160 aluminum, with no joints or welds.
- Flange is made of aluminum series 1100 .063'' and formed using punch and dies.
- Capability with U-flow seal, clamping collar or flexible coupling sleeve, for maximum flow.
- Durability, commercial-industrial grade quality.
- Warranty against corrosion and manufacturing defect (see note).

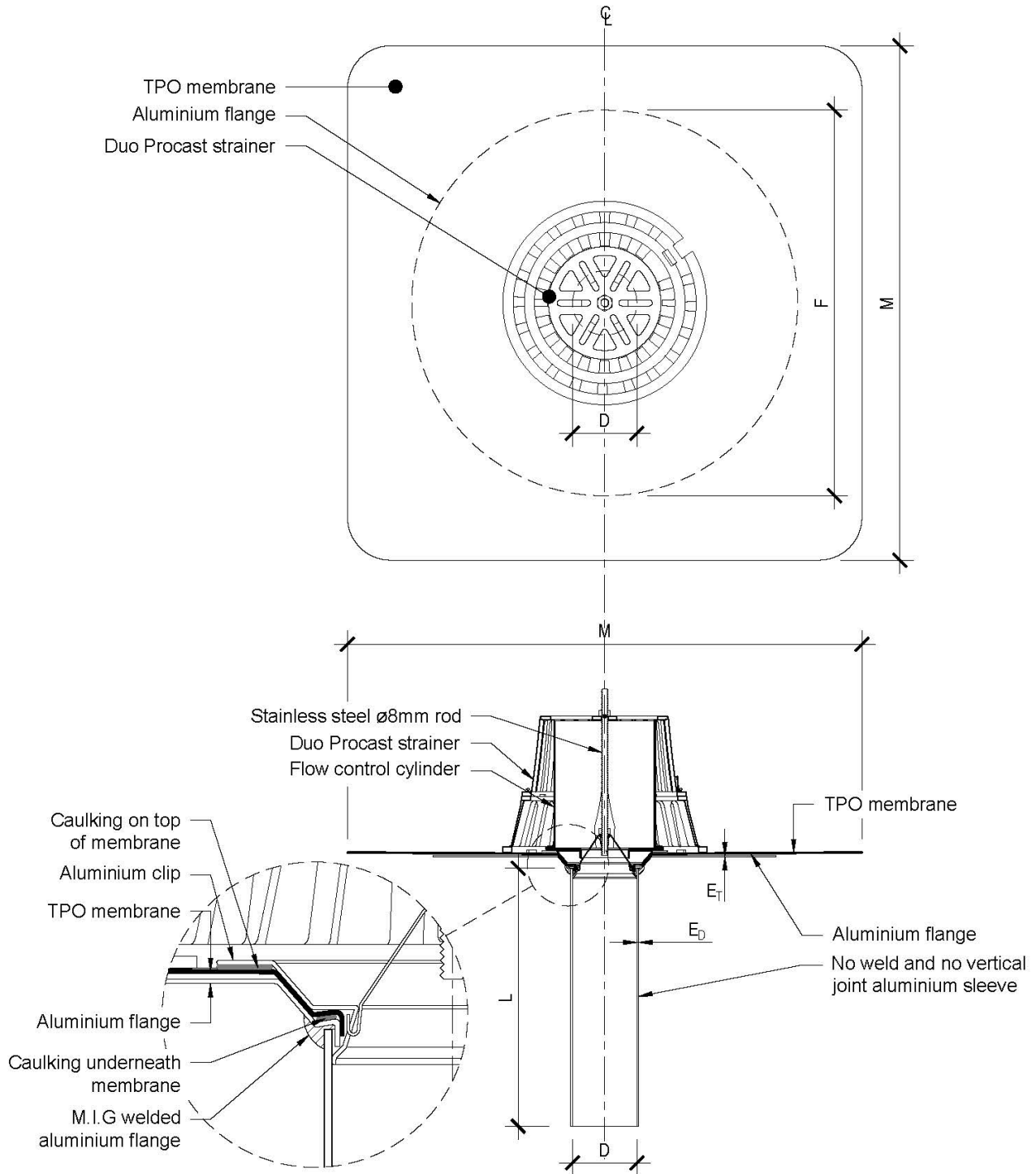
TECHNICAL DRAWING : basic model



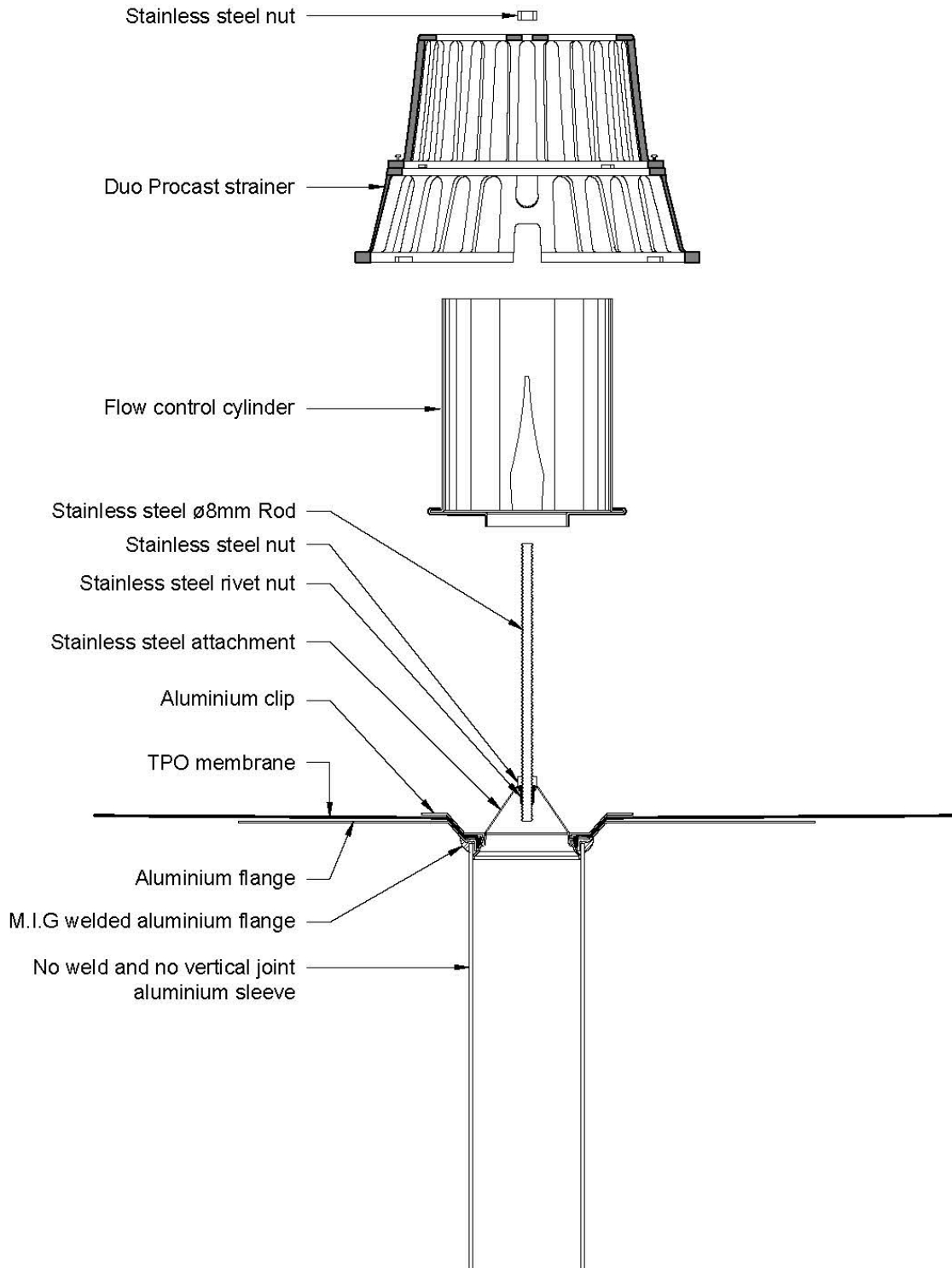
TECHNICAL DRAWING : model with Procast strainer model



TECHNICAL DRAWING : model with Duo-Procast strainer and control flow cylinder



TECHNICAL DRAWING : exploded view (in pieces)



## TECHNICAL DATA

### MATÉRIAUX

ALUMINUM DRAIN ULTRA-TPO	
MEMBRANE	TPO membrane, thickness : 0.060" (60 mil)
FLANGE	Aluminium alloy, thickness : 0.063" (1.6 mm)
PIPE	Seamless aluminum rige pipe, ALLOY 6061-T6, 0.090" (2.29 mm)
STANDARDS	Rigid aluminum pipe conforms to : ASTM-B221.REV.14
GRADE	Industrial and commercial
WELDING	MIG process

### DIMENSIONS

ALUMINUM DRAIN ULTRA-TPO					
D (interior)	Ed	Et	F	L	M
2 5/8" (67 mm)	0.090" (2.29 mm)	0.063" (1.6 mm)	Round 16" (400 mm)	12" & 18" (300 & 452 mm)	24"x24" (610 x 610 mm)
3" (76 mm)	0.090" (2.29 mm)	0.063" (1.6 mm)			Available autumn 2019 according to demand : 48"x48" (1220 x 1220 mm)
3 5/8" (92 mm)	0.090" (2.29 mm)	0.063" (1.6 mm)			
4" (102 mm)	0.090" (2.29 mm)	0.063" (1.6 mm)			

#### DESIGNED AND MANUFACTURED BY : LES PRODUITS MURPHCO LTÉE

For technical assistance or for any additional information, do not hesitate to contact:

#### LES PRODUITS MURPHCO LTÉE

4955, rue Brock  
Montréal (Québec) H4E 1B5  
Tél. : 514.937.3275 | Téléc. : 514.937.6797  
info@produitsmurphco.com  
www.produitsmurphco.com

#### DOCUMENTATION PREPARED IN COLLABORATION WITH :

#### CIMAISE | ATELIER TOITURE

4000, rue Saint-Ambroise, bureau 395  
Montréal (Québec) H4C 2C7  
Tél. : 514.272.8125 | Téléc. : 514.272.4756  
36, rue Wellington Nord, bureau 300  
Sherbrooke (Québec) J1H 5B7  
Tél. : 819.563.4500 | Téléc. : 819.563.3878  
info@cimaise.com  
www.cimaise.com

### AVERTISSEMENT

The information and specifications contained in this document represent the information applicable at the time of publication. This information is a summary of several exact results made from truthful tests, but they should not be considering absolute. In addition, MURPHCO Products lte reserves the right to modify, without notice, the information and specifications contained in this publication as a result of its ongoing policy of research and development of their products